

2020
PRODUCTS

Product Catalogue
Fire Damper



Khedr Trust
ALL AIR PRODUCTS

Fire Damper products are manufactured by



“Your comfort is
our priority”





Models

- FD-A
- FD-B
- FD-C
- FD-CR
- FD-OV



Features

- Damper Blades are precision roll formed and then interlocked to provide an angular, Heat deflecting construction.
- Dampers are supplied with two constant force St. Steel closure spring and locking ramp to ensure positive closure.
- UL Listed Fusible Link " 165 F Fusing Temperature " .
- All Dampers are Fire rated for 1 1/2 hour.
- Springs and Sealing are Stainless Steel.



Fire Damper

Model Design

Khedr Model FD Curtain Bladed Fire Damper are designed to stop Through duct wall penetration.

NFPA 90

Khedr Model FD meets the latest requirements of NFPA 90.

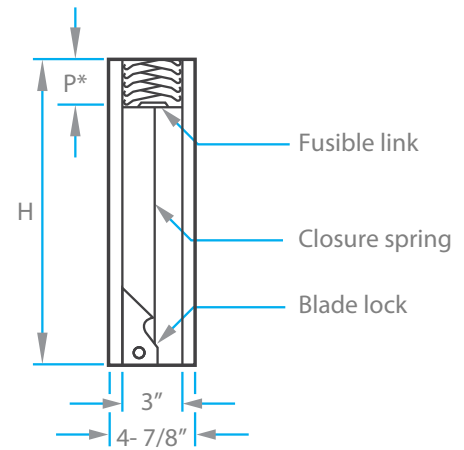
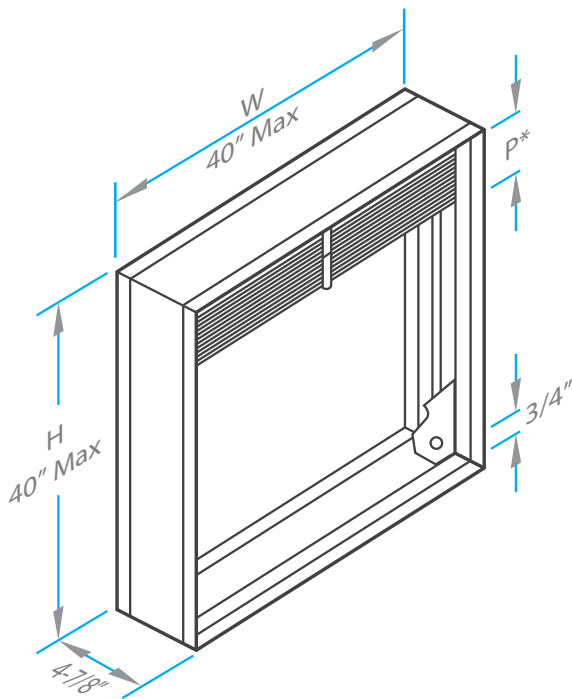
Model Types

Khedr Models FD are suitable to use in vertical or Horizontal installation.

- Construction & Specs.

- Type (FD-A)

20 Ga (1mm) Galvanized Steel Frame.
 24 Ga (0.7mm) Interlocking Type Galvanized Steel.
 55 to 78 % Free Area of nominal Size

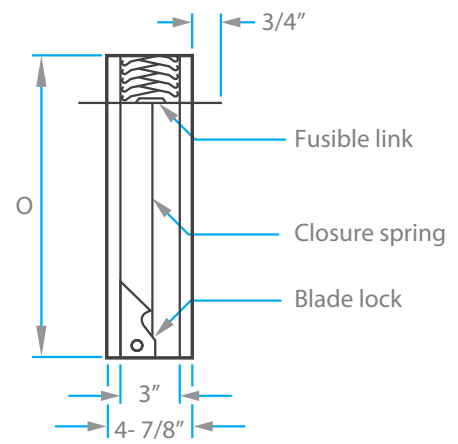
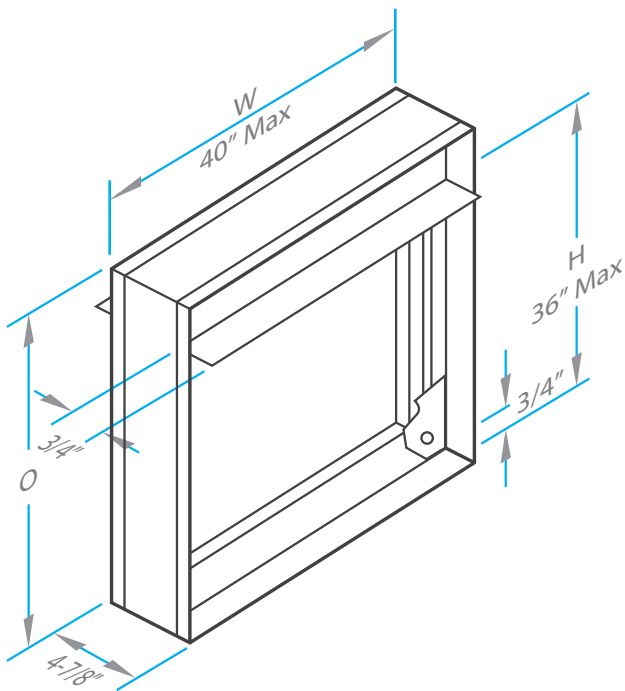


H/W "In"	P "In"	H/W "In"	P "In"	H/W "In"	P "In"
6	1	18	2 1/4	30	3 1/2
8	1 1/4	20	2 1/2	32	3 3/4
10	1 1/2	22	2 3/4	34	4
12	1 3/4	24	3	36	4
14	2	26	3	38	4 1/4
16	2	28	3 1/4	40	4 1/2

Fire Damper products are manufactured by Khedr Trust Co.

- Type (FD-B)

20 Ga (1mm) Galvanized Steel Frame.
 24 Ga (0.7mm) Interlocking Type Galvanized Steel.
 91 to 95 % Free Area of nominal Size

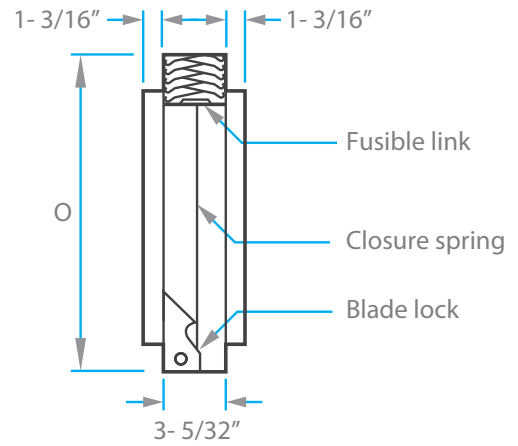
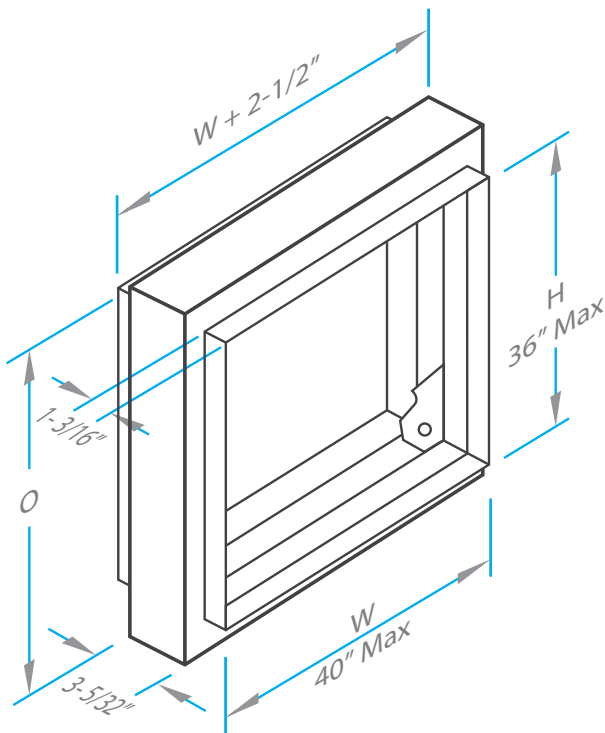


H/W "In"	O "In"	H/W "In"	O "In"	H/W "In"	O "In"
6	7 7/16	18	20 5/8	30	33 7/8
8	9 5/8	20	22 7/8	32	36 1/16
10	11 7/8	22	25 3/32	34	38 3/8
12	14 1/8	24	27 3/8	36	40 5/16
14	16 3/8	26	29 3/8		
16	18 3/8	28	31 5/8		

Fire Damper products are manufactured by Khedr Trust Co.

- Type (FD-C)

18 Ga (1mm) Galvanized Steel Frame.
 24 Ga (0.7mm) Interlocking Type Galvanized Steel.
 100 % Free Area of nominal Size

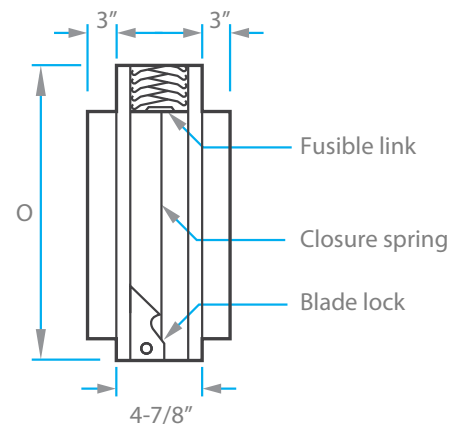
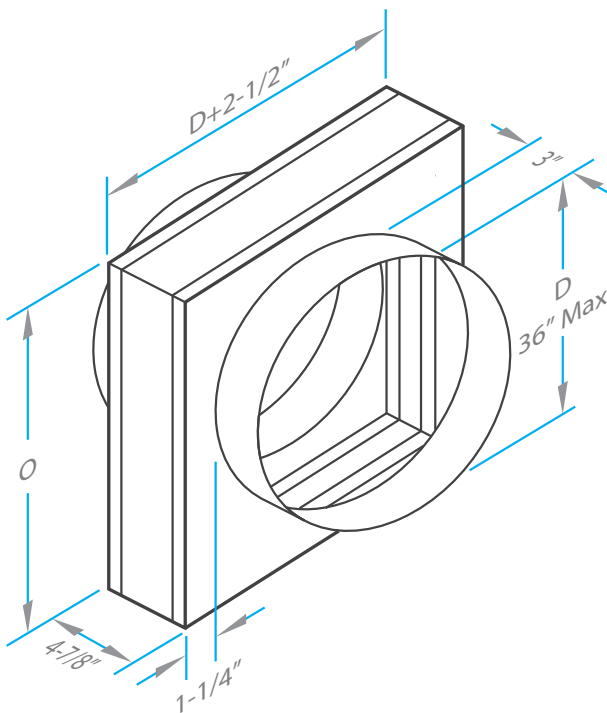


H/W "In"	O "In"	H/W "In"	O "In"	H/W "In"	O "In"
6	8 5/8	18	21 3/4	30	35
8	10 3/4	20	24 1/64	32	37 1/4
10	13 1/32	22	26 1/4	34	39 1/2
12	15 5/16	24	28 9/16	36	41 1/2
14	17 9/16	26	30 1/2		
16	19 9/16	28	32 3/4		

Fire Damper products are manufactured by Khedr Trust Co.

- Type (FD-CR)

18 Ga (1mm) Galvanized Steel Frame.
 24 Ga (0.7mm) Interlocking Type Galvanized Steel.
 100 % Free Area of nominal Size

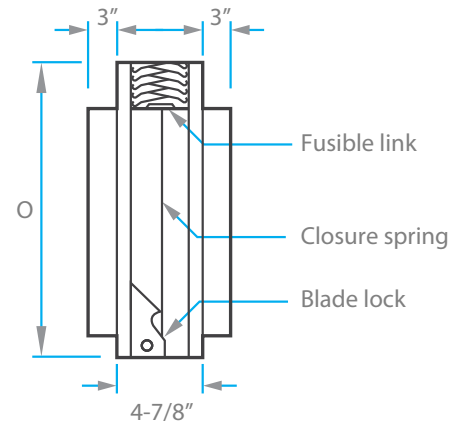
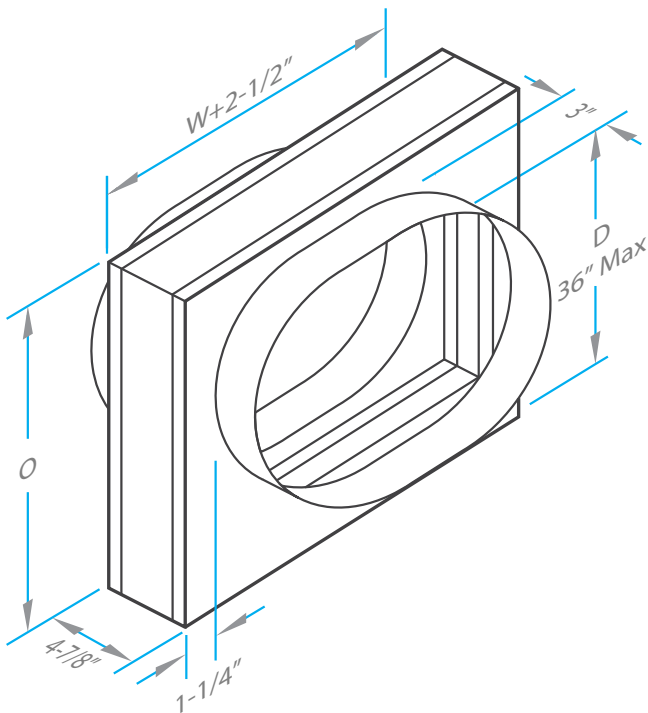


H/W "In"	O "In"	H/W "In"	O "In"	H/W "In"	O "In"
6	8 5/8	18	21 3/4	30	35
8	10 3/4	20	24 1/64	32	37 1/4
10	13 1/32	22	26 1/4	34	39 1/2
12	15 5/16	24	28 9/16	36	41 1/2
14	17 9/16	26	30 1/2		
16	19 9/16	28	32 3/4		

Fire Damper products are manufactured by Khedr Trust Co.

- Type (FD-0V)

18 Ga (1mm) Galvanized Steel Frame.
 24 Ga (0.7mm) Interlocking Type Galvanized Steel.
 100 % Free Area of nominal Size

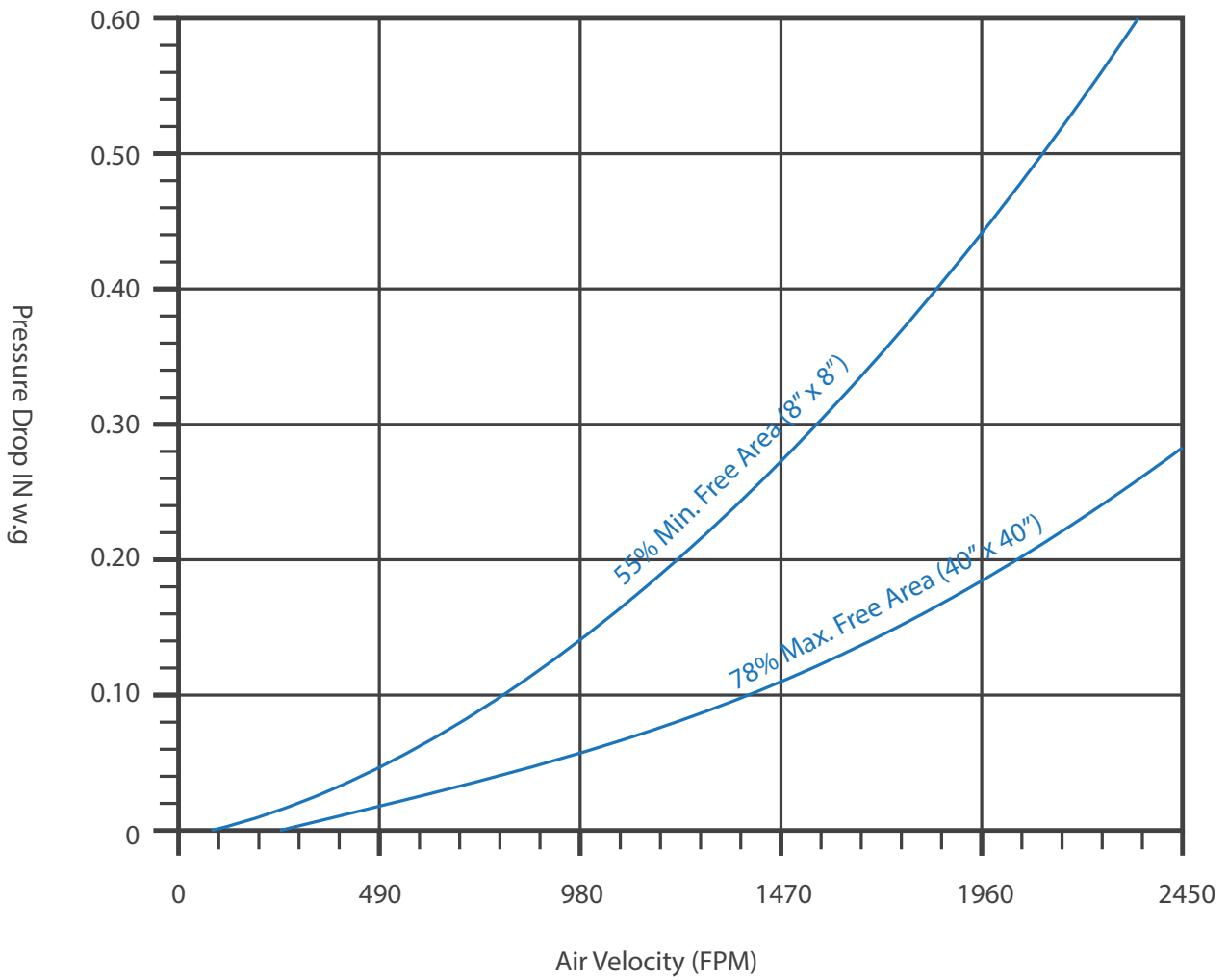


H/W "In"	O "In"	H/W "In"	O "In"	H/W "In"	O "In"
6	8 5/8	18	21 3/4	30	35
8	10 3/4	20	24 1/64	32	37 1/4
10	13 1/32	22	26 1/4	34	39 1/2
12	15 5/16	24	28 9/16	36	41 1/2
14	17 9/16	26	30 1/2		
16	19 9/16	28	32 3/4		

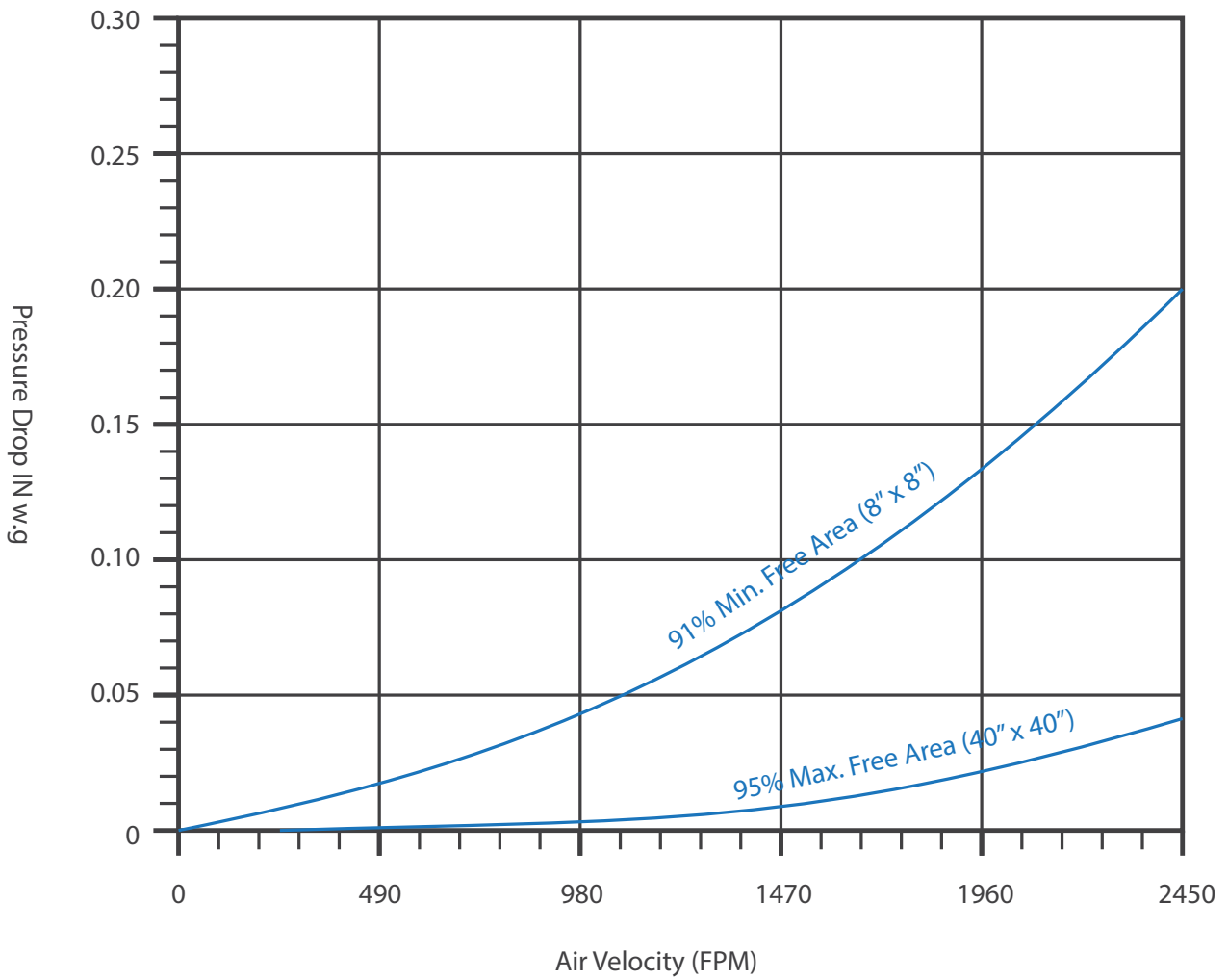
Fire Damper products are manufactured by Khedr Trust Co.

- Aerodynamic Data

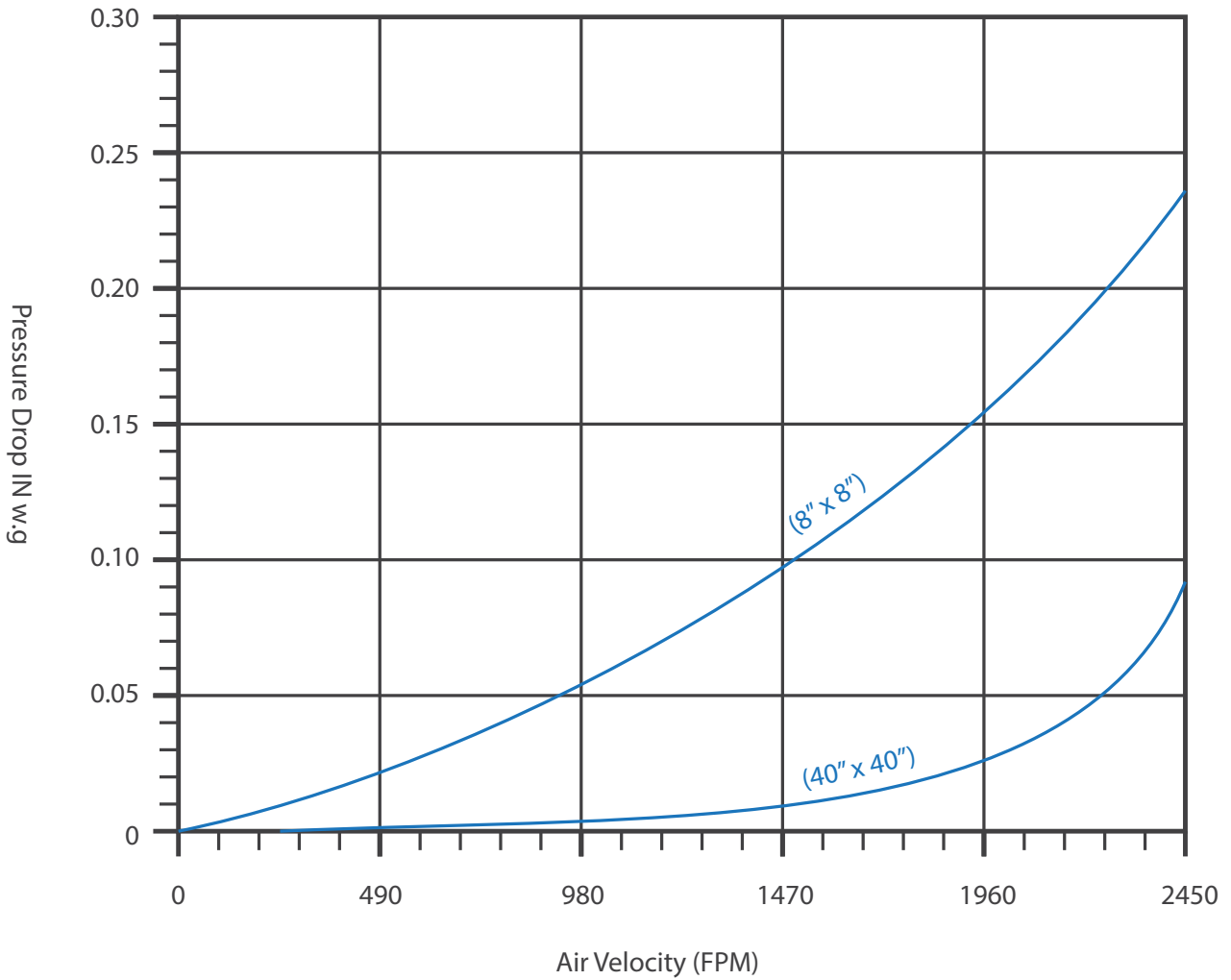
- Type (FD-A)



- Type (FD-B)



- Type (FD-C, C(CR & OV))



- How to order

Type	FD-A	FD-A FD-B FD-C FD-CR FD-OV	Fire Damper products are manufactured by Khedr Trust Co.
Size	24 x 24	Size "Inch"	
Frame	0	O Standard S Sleeve F Frame	

Other Products are provided by Khedr Trust Co.

Diffusers & Grills

- Square Ceiling Diffuser
- Circular Ceiling Diffuser
- Fire Damper
- Eye Ball Diffuser
- Swirl Diffuser
- Perforated Ceiling Diffuser
- Disc Valve Diffuser
- Linear Slot Diffuser
- Fire Damper
- Supply / Return Grills

Louvers

- Aluminum Louvers
- Sand Trap Louvers

Dampers

- Volume Damper
- Fire Damper
- Smoke Motorized Damper
- Shutter Damper

Special Parts

- Sound Attenuator
- Plenum Box

Duct Works

- Galvanized Steel Duct
- Black Steel Duct
- Stainless Steel Duct
- Spiral Duct
- Flexible Duct
- Canvas
- Flanges



Khedr Trust

ALL AIR PRODUCTS



Alqanater Alkhairia roads.Industrial Area, Behind Cocacola Co., Cairo, Egypt

Mailing Address : P.O.Box 13621, Cairo 11511 - Egypt

Tel : +202 42452022

Mob : +2010 29999054 / +2010 29999056

+2010 29999057 / +2010 29999058

E-Mail : info@khedr-eg.com

www.khedr-eg.com

